

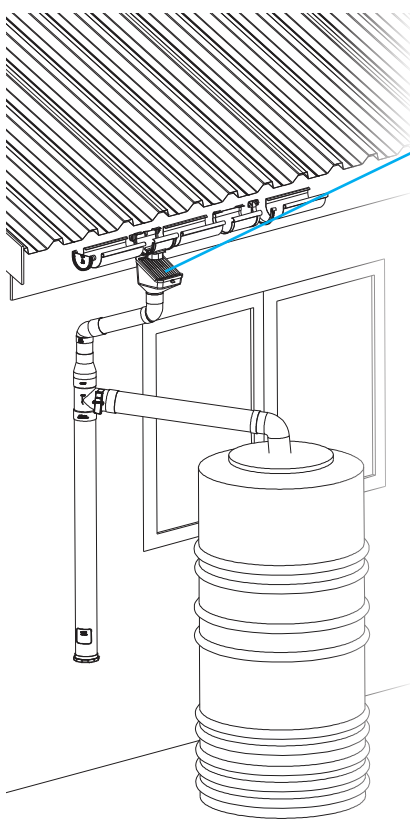
*Fabricated Fittings & Gutter Buddy (non-SABS)



Gutta-Buddy

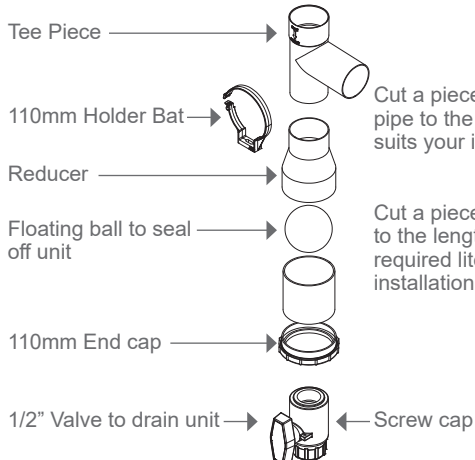
Leaf Catcher 80mm

Registered Design: F2016/00771



Rain Water Harvesting

- The Gutter Buddy is designed to create ease when harvesting rain water.
- Leaves and debris that are carried along by the water are filtered through the fine screen that further deflects mosquitos and other insects from entering your tank.
- The Gutter Buddy may still be used to prevent blocked gutters even if you are not harvesting rain water.
- Tank maintenance is greatly reduced and the drained angle of the product means leaves and debris are simply blown away leaving little or no need for cleaning.
- A removable lid creates further ease in maintenance should you require more upkeep.



GUTTA-BUDDY