



Congratulations on the purchase of the
**MARLEY HYDROPONICS
SYSTEM!**

Herewith a step by step guide to assemble and grow your own plants in your new Hydroponics System.

We value your input on our new product,
kindly provide feedback on our site.

www.marleypipesystems.co.za



Nutrients can be purchased separately in this store (Look out for our Marley Hydroponics Starter Kit), at your closest Hydroponic store or nursery.

Alternatively contact info@marleyps.co.za and we will direct you to your nearest supplier.



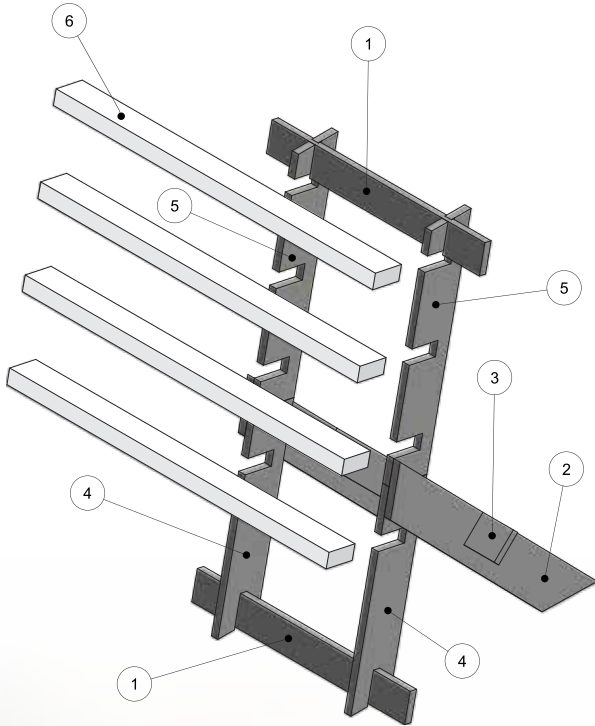
We have a **Hydroponic Starter Kit** available that can be used as a top-up kit for your existing hydroponic system or the Hydroponic Starter Kit can also be used in conjunction with your homemade hydroponic system.

www.marleypipesystems.co.za

Stand :

1. Select the best position available where you want to place the stand before assembling. Keep in mind that the plants would need semi-shade or full-sun depending on the plant variety for best growth results.
2. Assemble the stand by following the assembly steps below.

Figure 1



Step 1:

Align items 4 & 5 lengthwise and align item 2 on the outsides of item 4 & 5 with the holes provided and screw together.

Step 2:

Slide items 1 into the slots of items 4 & 5

Step 3:

Slide item 3 into the slots of item 2

Step 4:

Insert the adjustable feet (7) in the holes provided at the bottom of items 4.

Step 5:

Insert item 6 (4 x white Marley Hydroponic Profiles) into the openings of items 4 & 5, left and right



Here are a couple of important notes to remember with hydroponics:



Monitor plant growth and check for pests weekly.



Check the water level of the reservoir on a weekly basis to ensure level is correct.



Add nutrients to the water in the reservoir once a week (Step 13).



Frequently Asked Questions

Q - Can I plant seed directly into a hydroponic system?

A – You need to grow the seed in any form of medium to your liking prior to putting it in the system, it should have at least two leaves before adding it into the hydroponic system.

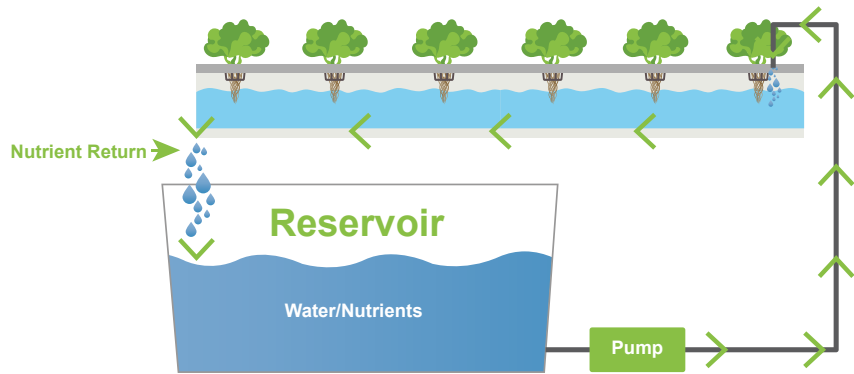
Q - I bought seedlings from a nursery, can I plant it directly into the system?

A – Yes you can, refer to step 12.

Q - I have a problem with my hydroponic system, please help?

A – Our Marley Hydroponic System is fairly easy to setup and maintain. If you have any queries with this system or need more information, contact Marley Pipe Systems on info@marleyps.co.za.

Figure 3 : Growing Tray



Now you can sit back and relax and watch your plants grow.

Suitable Plants

- ✓ Spinach Variety
- ✓ Kale
- ✓ Chillies
- ✓ Baby Cabbage
- ✓ Lettuce Variety
- ✓ Celery
- ✓ Thyme
- ✓ Mint
- ✓ Rocket
- ✓ Pak Choi
- ✓ Mustard
- ✓ Bush beans
- ✓ Basil
- ✓ Curled Parsley
- ✓ Strawberries
- ✓ Mustard Cress
- ✓ Chives
- ✓ Italian Parsley
- ✓ Green beans
- ✓ Coriander
- ✓ Oregano
- ✓ Tomatoes
- ✓ Tat Soi
- ✓ Kale

The above plants are the most popular in a hydroponics system. Visit your nearest hydroponic store for a wide variety of plants available. (No top heavy and bulb vegetables, e.g. carrots, potatoes, beetroot, etc.)



Did you know that your typical outdoor garden flowers and houseplants are excellent candidates to grow in a hydroponic system? The only limit is your imagination, we challenge you to explore.



3. Adjust the feet (7) (as per Step 4) to ensure the white Marley Hydroponic Profiles (6) are level.
4. Place the reservoir (8) behind your stand.

Figure 2



System:

5. Connect the long green inlet hose (9) to the submersible water pump (10) ensure the hose goes through the inlet/outlet hole (11) in the reservoir (8). Insert the other end of the hose (9) in the small hole (12) of the top white profile (6).
6. Connect the short green profile hoses (13) to the PVC Connectors (14) that is already fitted on the white Marley Hydroponic Profile (6) as per figure 2.
7. Connect the medium green outlet hose (15) from the bottom white profile and feed the hose through the second inlet/outlet hole (11) in the reservoir (8).

Continued on page 4

System: (Continued)

TIP : Soaking pipes in hot water will make them soft to easily fit on the PVC connectors (14)

8. Fill the reservoir with +/- 45 liters of fresh water. Be careful not to overfill the water higher than the inlet/outlet holes (11).
9. Plug the submersible water pump (10) into the waterproof plug box (16). Connect to your homes nearest plug point and make sure the electricity is on.
10. With the submersible water pump now on, the white profiles will slowly fill with water. When all four white profiles has water in, your system is now running correctly. Check the water level of the reservoir (8) to ensure there is enough water in the reservoir. (refer to step 8)
11. The submersible water pump and adjustable control valve (17) has been preset for optimum use and to ensure the water flow is correct for your system. The water level in each white profile will be between 1mm and 5mm. If the water level is not correct, adjust the adjustable control valve to manage the flow rate of the water until the desired flow rate is reached.

Important note : If the water flow is too quick it may unsettle your plants, or if the flow is too slow then your plants will not be provided with a sufficient amount of water.

⚠ CAUTION:

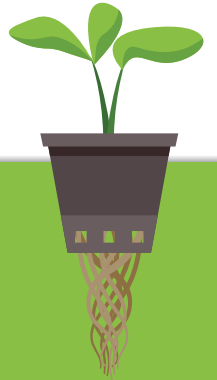
- *Avoid electrical shock, always keep the electrical equipment away from water at all times. Never touch electrical appliances with wet hands or bare feet.
- * May contain small parts that are choking hazards for children under the age of 3 years old.
- *All electrical connections should comply with local and national standards (SANS 10142-1)

Congratulations your new Marley Hydroponic System is completely set up and you can now add plants.



Plants

12. We have supplied you with Net Pots (18) and Disc Filters (Netting) (19) to add seedlings directly into the white profiles. Place the disc filter (netting) into the net pot and add your seedling. Make sure the seedling medium is level with the pot.
13. It is now time to add the 2-Part Nutrients. Nutrients A & B must be used together but **mixed separately**. Mix 2 x teaspoons (+-10 gram) of **Nutrient A** with 1 liter of fresh water in a container until dissolved. Do the same with **Nutrient B** in another container. Add **Nutrient A** into the reservoir following by **Nutrient B**.
14. Growing medium not included in this system.



How to plant your seedlings:



Transfer plant from tray to disc filter (netting) into Net Pot

Propagate from seed

