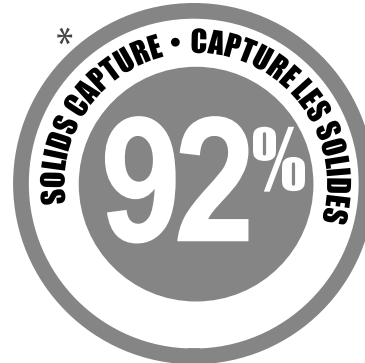
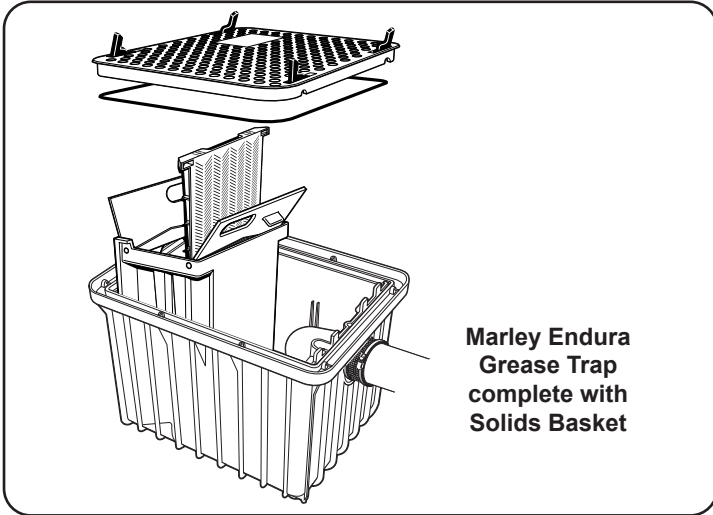


Marley *Endura* Grease Trap

Complete with Solid Basket

These instructions cover the installation and operation of the following products:
MGT500, MGT700



* Internal Testing



INSTALLATION, USE & CARE MANUAL

Thank you for purchasing this Marley Endura product. The Grease Trap complete with Solids Basket will improve the effectiveness and efficiency of grease retention as solids accumulation within an operation environment.

! It is highly recommended that a solids basket be used in conjunction with the grease trap, especially when food is discharging into the drain line. A solids basket will help prevent the grease trap from becoming clogged and will help greatly to maintain its effectiveness.

Proper installation of a grease trap is critical to its efficient operation. Even the best designed grease trap will not operate efficiently if installed incorrectly.

All installation recommendations are subject to the approval of the local code authority having jurisdiction, and it is highly recommended that installation of the Grease Trap complete with Solids Basket be performed by an accredited plumber as per SANS 10252 / 2.

The Marley Endura Grease Trap may be installed on the floor, partially in the floor, or fully recessed below the floor to best suit the situation. Whichever installation configuration is used, make sure you locate the grease trap in an area that allows for ease of maintenance.

Placement should allow the cover to be easily removed for cleaning. A minimum clearance is required above the cover of the grease trap (45-50cm) to allow removal of the internal baffles for a complete cleanout. With the cover removed, all internal surfaces should be visible.

Installations requiring long runs of pipe (exceeding 7.6m) to reach the trap are to be avoided. This precaution will reduce the possibility of the pipeline becoming clogged with grease before reaching the grease trap. Grease waste lines should be piped at a minimum slope of 6mm per 304mm to maintain flow in the drain line.

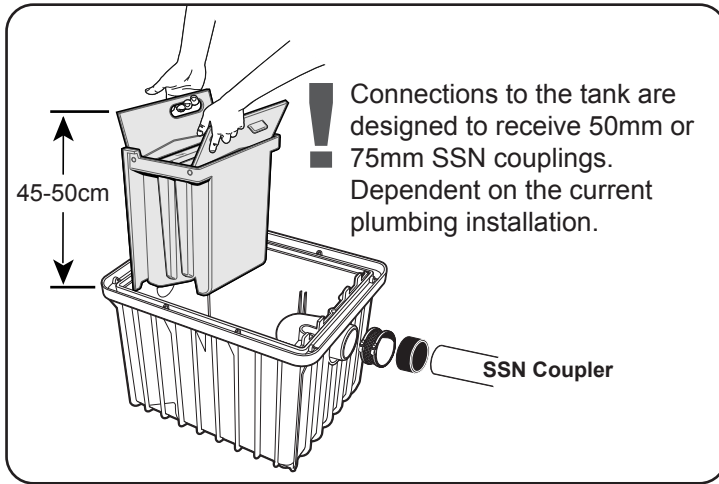
IMPORTANT NOTE: The Grease Trap complete with Solids Basket will require regular servicing, and this will vary depending on your particular foodservice operation and kitchen management practices.

If for instance, there are significant amounts of solid debris being discharged, the cleaning frequency could be as often as daily. If in regular gravity drainage application, this may be able to extend to as much as 1-2 weeks.

The recommended minimum service is at least weekly and this is due to the rapid degradation of food debris in a wet environment, which if left to deteriorate, will result in pungent, foul odour during servicing and removal.

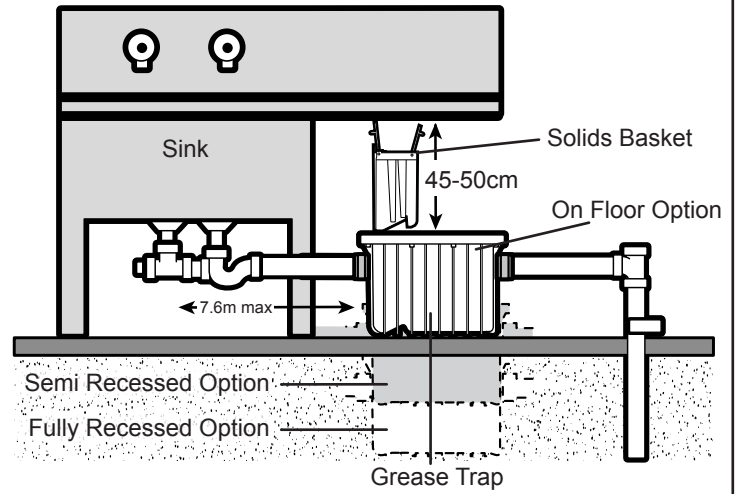
General Installation Guidance

The Marley Endura Grease Trap will require at least 45-50cm clearance above the tank to allow the solids basket to be removed for cleaning. The tank is marked with 'IN' and 'OUT' above the respective connections.



Typical Installation

! Minimum Solids Basket Clearance of 45-50cm is required for cleaning access.



Piping Connections

All Marley Endura Grease Traps are manufactured with no hub connections. Standard mechanical joint (SSN) couplings can be used to connect the grease trap to a metal or plastic piping system. If the piping system needs to be resized, use appropriate mechanical joint reducers, but do not decrease pipe diameter across the unit.

! **Please Note: The Marley Endura Grease Trap is made of Polypropylene, which is not compatible with solvent weld cement.**

Grease Trap Operation

Your purchase of the Marley Endura Grease Trap represents a sound investment in the effective operation of your foodservice establishment.

Train your employees so they can contribute to your goal of responsible waste management and reduced maintenance cost.

Provide training in:

- proper function, operation and maintenance of grease traps;
- proper storage, handling and disposal of wastes;
- proper separation and storage of materials;
- proper use and handling of cleaning aids;
- proper housekeeping; and
- the benefits of following the code and best practise

Installation Options

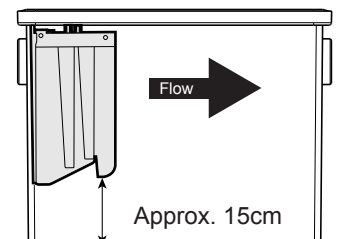
Marley Endura Grease Trap complete with Solids Basket (MGT500, MGT700)

The Marley Endura Grease Trap is a self-contained unit designed to work with grease trap applications with a flow rate of 1.6 to 3.2 litres per second.

Installation

Marley Endura Solids Basket (MGTSOL01)

Please note: When properly installed, there will be a gap of approximately 15cm between the bottom of the solids basket and the floor of the grease trap. This is the correct operational location for the device.



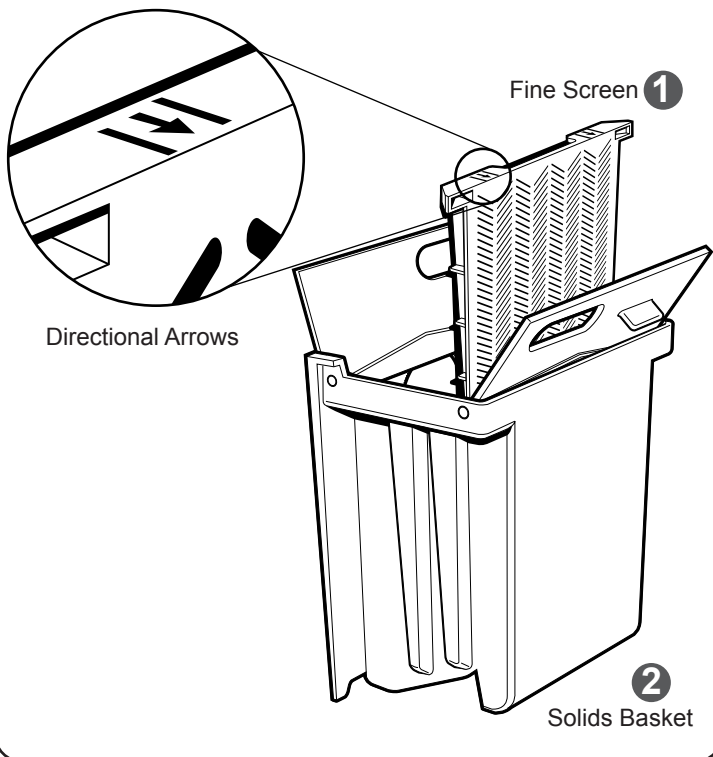
Solid Basket Operation

The Solids Basket has one removable screen. ①

The screen has moulded details to ensure it is fitted in the correct location, and has flow direction arrows moulded onto the top surface.

The Solids Basket incorporates the outlet along the bottom downstream edge and recirculates the flow upward and alongside the basket. ②

Directional Arrows for easy screen placement



① As carefully as possible, remove the solids basket using the black handles. Be sure to lift the basket vertically and with equal pressure.

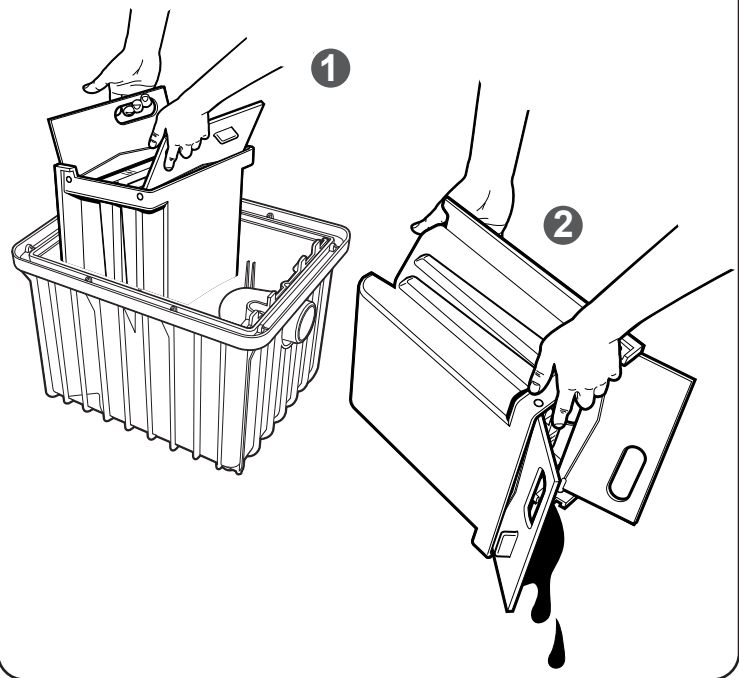
Allow excess water to drain over the grease trap. If necessary, the basket can be stood on a flat surface but be aware that remaining water will continue to drain from the collected solids. Then move the solids basket to a waste receptacle/recycling point.

② To empty the captured solids, place a finger against the top of the filter screen to prevent it from sliding out then turn the solids basket on its side and tip the contents into the waste container. Now remove the filter screen and wipe clean both the solids basket and filter screen with a paper towel, rinsing them as necessary to remove all accumulated debris. Warm water, detergent and a small stiff brush is recommended.

Refitting is the reverse of removal.

Note: Some very fine debris may pass through the solids basket and accumulate on the floor of the grease trap. This together with the fat and oils should be cleaned and removed, by an accredited waste removal company.

Maintenance & Removal



Maintenance & Removal

All grease traps must be cleaned regularly to maintain efficient operation.

The frequency of grease and solids removal is dependent upon a variety of factors; the type of food served, the capacity of the grease trap and the quantity of grease in the water. Increasing the frequency of cleaning will reduce odour problems associated with grease traps and improve retention efficiency.

To empty the Solids Basket, lift all the latches on the grease trap cover into the upright position and open the grease trap.

Calculate Flow Rates

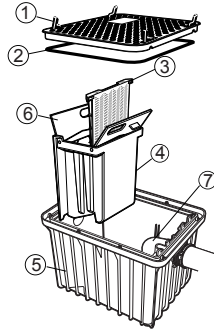
Sink $L \times B \times H = \text{cm}^2$
 $\text{cm}^2 \div 1000 = \text{Litres}$
 $\text{Litres} \times 0.75(\text{Factor}) = \text{Volume}$
 $\text{Volume} \div 60(\text{Seconds}) = \text{Litres per Second}$

Formula: $(L \times B \times H) \div 1000 \times 0.75 \div 60 = \text{l} / \text{sec}$

For flow rates lower than or equal to 1.6l /sec, use a MGT500.
For flow rates greater than 1.6l /sec and up to 3.2l /sec use a MGT700.

Components

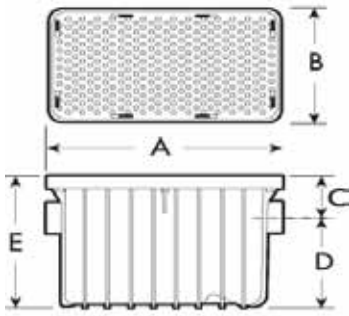
Grease Trap complete with Solids Basket



COMPONENTS

ITEM	DESCRIPTION	PART NO.
1	Latches	MGT500/700 LAT
2	Cover Seal	MGT500/700 COV
3	Filter Screen	MGTSOLBAF
4	Solids Basket	MGTSOL01
5	One-piece Tank	MGT500/600/700
6	Solids Basket Hand Cover	MGTSOLHAN
7	Outlet Baffle	MGT500/700 OB

Tank Dimensions



	MGT500 1.6l /sec	MGT700 3.2l /sec
A	600mm	787mm
B	445mm	597mm
C	89mm	127mm
D	325mm	318mm
E	414mm	445mm

Warranty

Your Marley Endura Grease Trap is inspected for manufacturing defects, however, it is not always possible to detect hidden defects. The grease trap is warranted only to the extent that the manufacturer will replace, without charge, products proven to have manufacturing defects within twelve (12) months of the date of delivery thereof and provided the Seller has been given an opportunity to inspect the product alleged to be defective and the installation and use thereof.

NO WARRANTY IS INCLUDED AGAINST ANY EXPENSE FOR REMOVAL, REINSTALLATION OR OTHER CONSEQUENTIAL DAMAGES ARISING FROM ANY DEFECT. THE WARRANTIES SET OUT ABOVE ARE THE ONLY WARRANTIES MADE BY THE SELLER AND ARE EXPRESSLY IN LIEU OF ALL OTHER WARRANTIES, EXPRESSED OR IMPLIED INCLUDING THE WARRANTIES OF MERCHANTABILITY AND FITNESS FOR A PARTICULAR PURPOSE.

Extended 10-year Warranty

Your Marley Endura® Grease Trap is warranted for ten (10) years from the date of installation based on the receipt of a completed warranty card (complete this online and view all the applicable terms and conditions at www.marleypipesystems.co.za/endura). Said warranty card must be submitted to Marley Pipe Systems within thirty (30) days of the installation date, in order to be eligible for this extended warranty. Terms and Conditions Apply.

REGISTER YOUR EXTENDED 10-YEAR WARRANTY ONLINE OR COMPLETE INSERT WITHIN 30 DAYS OF INSTALLATION: www.marleypipesystems.co.za/endura

FOR TECHNICAL ASSISTANCE AND QUERIES: www.marleypipesystems.co.za or 011 739 8600

Troubleshooting Quick Guide

SYMPTOM	CAUSE	CORRECTIVE ACTION
Strong pungent odour	Solids are accumulating & fermenting in the grease trap.	Install a solids basket inside the grease trap. Cover Gasket is damaged and needs replacing. Increase cleaning frequency.
Sink has backed up with water	The solids basket is full. The grease trap is full of solids and/or grease.	Increase cleaning frequency.
Grease Gobules plugging	Drainage run is too long. Effluent is cooling before it reaches trap.	Install grease trap closer to the fixture.
Solids plugging under the outlet baffle	The grease trap is full. Food waste (e.g. rice) on pots, plates & utensils is not being scraped into the garbage & is being flushed down the sink. This food waste will break down and form a sludge on the bottom of the tank. Ensure the baffles are removed during cleaning. Grease trap has remained inoperable for a period of time.	Increase cleaning frequency. Install a solids basket and/or filter screen. Flush the system for a period of time with hot water before decommissioning the system for the day.